



Get a free 2-year warranty



DE / FR / PT / SP

FLOOR DRILL PRESS PPSC30VETE

IN GOOD HANDS

TRANSLATION OF ORIGINAL INSTRUCTION MANUAL





WHO ARE WE?

Peugeot Professional Tools was born out of several obvious considerations.

The first was to combine the know-how of **Peugeot**, which has mastered the art of cutting since 1810, with the expertise of **Tivoly**, a metalworker since 1917, in order to create a wide range of machines and tools for construction and maintenance professionals.

It was also a natural step to want to serve craftsmen and small businesses driven by strong family and heritage values.

For these professionals, **Peugeot Outils Professionnels** offers machines and tools designed specifically for their needs. **These tools are reliable, durable, and can be repaired in France** and in countries under distribution agreements by local industrial and family partners.

Trustworthy equipment with a longer warranty, logistics, and

French after-sales service. The assurance of dealing with the people who assembled these tools and know every part that goes into them inside out.

From exceptional projects to everyday work, these tools are designed to withstand the most demanding conditions and stand the test of time.

Peugeot Professional Tools was born out of one obvious fact: that our tools are in good hands. The hands of those who work behind the scenes and give their all to satisfy their customers.

Since 1810, many things have changed, but the hands have remained the same. The hands of enthusiasts, craftsmen, dedicated technicians and installers, workers who are proud of themselves and their achievements.

Peugeot Professional Tools: tools in good hands.

THANK YOU FOR YOUR PURCHASE.

We are delighted that you have chosen Peugeot Professional Tools. Every detail has been designed to offer you an exceptional experience, and we hope you enjoy using it as much as we enjoyed creating it for you.

Your trust is essential to us, and we are delighted to accompany you every step of the way in your experience with the Peugeot Professional Tools brand.

Your purchase comes with a 2-year warranty, extendable to an additional 2 years.

















To benefit from this, register at www.peugeot-outils-pro.com

If you have any questions or need assistance, our team is available to provide you with the best possible service.

To contact our after-sales service, visit [www.peugeot-outils-pro.com](#), call [+33\(0\)4.79.89.59.00](tel:+330479895900), or email service@peugeot-outils-pro.com.

Thank you for choosing Peugeot Professional Tools. Your satisfaction is our priority.

CONTENTS

1	INTRODUCTION.....	4
2	PICTOGRAMS.....	4
2.1	MACHINE SAFETY PICTOGRAMS	4
2.2	PICTOGRAMS USED IN THIS INSTRUCTION MANUAL	4
3	SAFETY	5
3.1	GENERAL SAFETY REQUIREMENTS.....	5
3.2	SPECIFIC SAFETY REQUIREMENTS.....	6
3.3	OPERATOR PROTECTION	7
4	DESCRIPTION AND OPERATION	7
4.1	INTENDED USE OF THE MACHINE.....	7
4.2	CHARACTERISTICS.....	7
4.3	DESCRIPTION OF THE MACHINE.....	8
5	INSTALLATION.....	9
5.1	 PACKAGING	9
5.2	 HANDLING AND TRANSPORT.....	9
5.3	 SETTING UP THE MACHINE.....	9
5.4	ASSEMBLY	10
5.5	 ELECTRICAL CONNECTION	11
5.6	 INITIAL TEST AND INSPECTION BEFORE FIRST USE	11
6	TOOLS	12
6.1	 TOOL ASSEMBLY	12
6.2	 TOOL DISASSEMBLY	12
7	ADJUSTMENTS.....	13
7.1	 CONTROL DEVICES	13
7.2	 SPINDLE RETURN SPRING	13
7.3	 DEPTH STOP.....	14
7.4	CHUCK GUARD	14
7.5	 TABLE	15
7.6	 SPINDLE ROTATION SPEED SELECTION.....	16
7.7	CUTTING FLUID	18
7.8	 DRILLING PROCEDURE.....	19
7.9	 OPERATING INCIDENTS	20
7.10	 TABLE OF FAULTS AND SOLUTIONS.....	21
7.11	 TAKING THE MACHINE OUT OF SERVICE	21
8	MAINTENANCE.....	22
8.1	DAILY MAINTENANCE.....	22
8.2	WEEKLY MAINTENANCE.....	22
8.3	MONTHLY MAINTENANCE.....	22
8.4	SEMI-ANNUAL MAINTENANCE.....	22
9	EXPLODED VIEW	23
10	ELECTRICAL DIAGRAM.....	27
11	NOISE LEVEL.....	28
12	VIBRATION LEVEL.....	28
13	ENVIRONMENTAL PROTECTION.....	29
14	WARRANTY.....	29
15	DECLARATION OF CONFORMITY.....	30

1 INTRODUCTION



**For safety reasons, read these instructions carefully before using this machine.
Failure to follow the instructions will result in damage to persons and/or the machine.**

This instruction manual is intended for the operator, adjuster, and maintenance technician.

This instruction manual is an important part of your equipment. It provides rules and guidelines that will help you use this machine safely and efficiently. You must familiarize yourself with the functions and operation by carefully reading this instruction manual. For your safety, it is particularly important that you read and observe all recommendations on the machine and in this instruction manual.

These recommendations must be strictly followed at all times when using and maintaining the machine. Failure to follow the safety guidelines and warnings in the instruction manual and on the machine and/or use other than that recommended in the instruction manual may result in machine failure and/or injury.

Please keep this instruction manual with the machine or in a place that is easily accessible at all times for future reference. Ensure that all personnel involved in the use of this machine can consult it periodically.

If the instruction manual is lost or damaged, please contact us or your dealer to obtain a new copy.

Always use PEUGEOT OUTILS PROFESSIONNELS components and parts. Replacing components or parts other than PEUGEOT OUTILS PROFESSIONNELS may cause damage to the machine and endanger the operator.

This manual describes the safety instructions to be followed by the user. It is the responsibility of the employer or user, in accordance with Article L.4122-1 of the Labor Code, to take care of their health and safety and that of other persons affected by their actions or omissions, in accordance, in particular, with the instructions given to them.

The employer must carry out an assessment of the specific risks associated with their activity, must train workers in the use of the machine and in the prevention of these risks, and must appropriately inform workers responsible for the use or maintenance of work equipment of the instructions or guidelines that apply to them.

2 PICTOGRAMS

2.1 MACHINE SAFETY PICTOGRAMS

Meaning of the safety pictograms affixed to the machine (keep them clean and replace them when they are illegible or detached):



Safety footwear must be worn.



Safety glasses must be worn.



Do not wear protective gloves during machining.



Do not stop the tool by hand.
Do not touch the tool while it is moving.
Keep your hands away from the machining areas when the machine is in operation.



Do not open until the pulleys have stopped.



Electrical presence.



Hearing protection must be worn.



Read the instruction manual carefully.



ROTATION BROCHE Spindle rotation direction.



Do not wear loose clothing, wide sleeves, bracelets, watches, wedding rings, jewelry, ties, scarves, or any other items that could get caught in the moving parts of the machine.
Wear hair nets for long hair.



Wait until the spindle has come to a complete stop before opening the pulley cover.



Ground connection for metal parts.

2.2 PICTOGRAMS USED IN THIS INSTRUCTION MANUAL



Immediate danger to persons and damage to the machine.



Possible damage to the machine or its surroundings.



It is not advisable to wear gloves during machining. Reserve them for cleaning operations, when the machine is stopped, and for all operations involving a risk of cuts, burns, or pinching.



Minimum number of personnel required for certain operations.



Wear protective eyewear when changing tools and cleaning.



If necessary, wear respiratory protection to reduce the risk of inhaling hazardous dust.



Note.



Technical skill level: operator, user.



Technical skill level: adjuster, maintenance.



Technical skill level: maintenance technician.



Electrical work must be carried out by personnel who are qualified and authorized to perform low-voltage electrical work.

3 SAFETY

3.1 GENERAL SAFETY REQUIREMENTS



To reduce the risk of fire, electric shock, mechanical shock, and personal injury when using power tools, follow basic safety precautions.

This instruction manual only takes into account reasonably foreseeable behavior.

Our machines are designed and manufactured with operator safety in mind.

We accept no liability for damage caused by inexperience, incorrect use of the machine and/or damage to it and/or failure to comply with the instructions and safety rules contained in this instruction manual.

As a general rule, accidents always occur as a result of misuse or failure to read the instruction manual.

We remind you that any modification to the machine will result in our disengagement.

Check the presence, condition, and operation of all guards before starting work.

Ensure that moving parts are working properly, that there are no damaged components, and that the machine is operating perfectly during start-up.

Only competent and authorized personnel are permitted to repair or replace damaged parts.

Keep the work area clean and tidy.

Ensure that the entire work area is visible from the work position. Cluttered work areas and workbenches are a potential source of injury.

Do not use the machine outdoors, in very humid conditions, or in the presence of flammable liquids or gases.

Position the machine in a sufficiently lit work area.

The machine must not be used by young workers under the age of 18.

Do not allow unauthorized persons, especially children or animals, to enter the work area, touch the tools or electrical cables, and keep them away from the work area.

Never leave the machine unattended while it is in operation. Always disconnect the power supply. Only leave the machine when it has come to a complete stop.



Do not force the tool; it will perform better and be safer at the speed for which it is designed.

Do not force small tools to do the work of larger tools.

Do not use tools for jobs for which they are not intended.



Do not damage the power cord.

Never pull on the power cord to remove it from the electrical outlet.

Keep the power cord away from heat sources, greasy areas, and/or sharp edges.

Protect the power cord from moisture and any potential damage. Check the power cord periodically and, if damaged, have it repaired by an authorized repairer.

A faulty switch must be replaced by an authorized service center. Do not use the machine if the switch does not control the stop or start functions.



Do not overestimate your strength.

Always maintain a stable position and good balance.

Pay attention to what you are doing, use common sense, and do not use the machine when tired.

Always use both hands to operate this machine.

The use of any accessories other than those described in the instruction manual may present a risk of injury to persons.

The user is responsible for their machine and must ensure that:

The reel is used by people who have been instructed and authorized to do so.

Safety rules have been followed.

Users have been informed of the safety rules.

Users have read and understood the instruction manual.

Responsibilities for maintenance and any repairs have been assigned and observed.

Defects or malfunctions have been immediately reported to an authorized repairer or your dealer.

The reel must be used in the areas of application described in this manual.

Any use other than that specified in these instructions may constitute a hazard.

Mechanical and/or electrical guards must not be removed or bypassed.

No modifications and/or conversions must be made.

PEUGEOT OUTILS PROFESSIONNELS declines all responsibility for damage caused to persons, animals, or objects as a result of failure to comply with the instructions and safety rules contained in this instruction manual.

3.2 SPECIAL SAFETY REQUIREMENTS



Special safety requirements for the bench drill.

Before use, the machine must be correctly assembled.

Secure the machine to a base or workbench that is sufficiently flat, level, smooth, and non-slip, so that the machine is as stable as possible.

Secure the base or workbench to a sufficiently flat and non-slip floor so that the base or workbench is as stable as possible.

Use a base or workbench with sufficient capacity.

Do not use if the unit is not placed on a flat, stable, unobstructed, and well-lit surface.

Do not operate the machine when the safety guards are removed.

Do not use the machine without the pulley cover.

Adjust the chuck guard to prevent access to the non-working part of the tool.

Fit a tool that complies with the machine's recommendations.

Ensure that the tool is firmly locked in the chuck or spindle.

Do not use damaged or deformed tools.

Ensure that the choice and rotation speed of the tool are appropriate for the material to be drilled.

Use appropriate machining speeds. The speed must be selected when the drill is not running.

Check that the pulleys are correctly aligned.

Check that the belts are correctly positioned.

Check that the belts are correctly tensioned.

Use original belts to ensure correct tension.

Do not touch the tool while it is moving.

Do not stop the tool by hand.

Always keep the tool clean.

Do not clean the tool while it is moving.

The tool can become very hot during machine operation. Wait for the tool to cool down before replacing it.

Always keep the work table clean and uncluttered.

Do not add additional accessories for operations for which they are not designed.

Using an inappropriate accessory increases the risk of accidents.

Keep hands away from machining areas when the machine is in operation.

It is not advisable to wear gloves during machining.

Reserve them for cleaning operations, when the machine is stopped, and for any operations involving a risk of cuts, burns, or pinching.

Never hold materials to be drilled by hand; clamp them securely using appropriate tools such as vices and clamping systems.

Secure a vise or the material to the table using a set of clamps.

Thin sheets are the most dangerous:

- Their thinness makes them sharp.
- The tool tends to plunge when breaking through.
- Offset holes increase the risk because the material describes a circle as it rotates. Fingers, wrists, forearms, and even the chest are particularly exposed.

Use mountings and clamps:

- Support for uneven and flexible material.
- Guide for drilling small holes in a thin sleeve.

Do not start machining against the material.

Do not strike the tool against the material to be drilled, but apply gradual pressure.

Adjust the table or machining depth setting so as not to drill through the table.

Manually apply cutting fluid to cool the tool. The service life of the tool and the efficiency of the machining depend on this.

An optional lubrication system can be installed.

It is very important to prevent cutting fluid from spilling onto the surrounding area, creating a slipping hazard.

Always work in a stable position and maintain your balance.

Always wear safety glasses.

Ensure that no one is in the path of debris caused by machining.

Always keep the work area clean and uncluttered.

In all cases, stay focused on the task at hand.

For all operations involving a risk of cuts, burns, pinching, entanglement, wrapping, or crushing, particularly when loading and unloading materials to be drilled, changing tools, or handling the table, vise, clamps, and material to be drilled, stop the machine and wear protective gloves.

Rushing rarely saves time: the tool heats up, becomes blunt, and needs to be resharpened. The work is poorly done. The risk of accidents is increased.

Wear hearing protection.

If necessary, wear respiratory protection to reduce the risk of inhaling hazardous dust.

Keep the motor fan cover clean and uncovered to ensure the machine operates correctly.

Before changing the material to be drilled, a tool, or before performing any operation to position or remove material waste, stop the machine.

Disconnect the power supply for any major operations (maintenance, servicing).

Replace the table when it is worn.

Keep the machine clean and in good condition.

Remove chips regularly.

When cleaning, remove chips that may be sharp and hot while wearing protective goggles and gloves, with the machine turned off, and collect them in bins. Avoid using a blow gun; instead, use a clean, dry cloth, brush, long-handled brush, hook, magnetic collector, or vacuum cleaner.

Do not immerse the machine in water or wash it with a pressure washer, as this may cause water to penetrate the electrical components.

Do not use solvents or aggressive detergents for cleaning.

Disconnect the machine and check that the moving parts are locked when transporting the drill.

Store the machine in a dry place out of the reach of children.



Accidents are generally the result of:

- Lack of accessories to hold the material securely in place.
- Disorder: accessories, if available, are not stored away and the operator cannot find them, so does without them.
- Inappropriate or dangerous operating procedures.
- Insufficient training, learning, and/or experience of operators in the use of the machine.
- Absence of protective covers during machine use.
- Ill-fitting clothing, lack of safety glasses for certain tasks.

3.3 OPERATOR PROTECTION



For operator safety, ensure that non-working parts are always covered by a protective guard.

This machine is designed for a single operator. The operator must wear appropriate personal protective equipment:

- During use:
 - Safety shoes.
 - Safety glasses.
 - Hearing protection.
 - Respiratory protection.
- When cleaning the machine or changing tools:
 - Safety shoes.
 - Safety glasses.
 - Protective gloves.



The operator must wear close-fitting clothing and, if necessary, hair coverings for long hair.

The operator must not wear, for example:

- Loose-fitting clothing with wide sleeves.
- Bracelets, watches, wedding rings, jewelry, ties, scarves.
- Any other objects that could get caught in the moving parts of the machine.



4 DESCRIPTION AND OPERATION

4.1 INTENDED USE OF THE MACHINE

The 30CVTE floor drill press is a machine designed and built solely for intensive use (5-8 hours/day) for drilling operations under lubrication at a fixed position, with vertical movement, in ferrous metals (steel, iron, cast iron) and non-ferrous metals (stainless steel, aluminum, copper, lead, zinc, tin, brass, etc.), plastics, and wood.

The manufacturer declines all responsibility in the event of misuse or machining of materials not recommended for the machine. Under proper conditions of use and maintenance, safe operation and performance are guaranteed for several years. To do this, explore the machine's various functions.

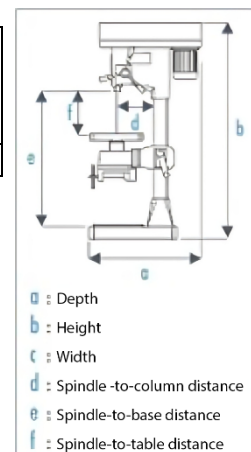
4.2 FEATURES

- Steel cast frame, head, and base
- Steel column
- Poly V belt drive with tension adjustment
- Spindle mounted on ball bearings
- Spindle return adjustable by return spring
- Drilling depth stop
- Electronic speed control
- Digital display of spindle speed
- Hammer stop with engagement
- Electrical safety lock for pulley cover
- Spindle speed potentiometer
- Removable servo-controlled chuck guard
- Standard water spray system
- LED lighting
- Reversible two-position vise table with graduated vernier and lubricant collector
- Vise mounted on slide
- Table-vice movement via rack and pinion
- Supplied as standard with:
 - 1 to 16 mm self-tightening chuck – B18
 - CM3 chuck shank – B18
 - cone puller

Maximum drilling capacity (mm)	Morse taper	∅ Column (mm)	Spindle stroke (mm)	Number of speeds	Spindle speeds (rpm)	Dimensions (a x b x c) (mm)	Motor power (kW)	Power supply	Weight (kg)
30	CM3	92	125	Variables	100 ~ 2500	770 x 1750 x 650	1.5	400 V three-phase	198

d (mm)	e (mm)	f (mm)	Table dimensions (mm)	Table grooving center distance (mm)	Table grooving (mm)	Base dimensions (mm)
209	1150	200 - 750	395 x 285	105	16	560 x 420

Table-vice (TE) specifications	Width of jaws (mm)	Height of jaws (mm)	Opening (mm)
	120	53	100



4.3 MACHINE DESCRIPTION

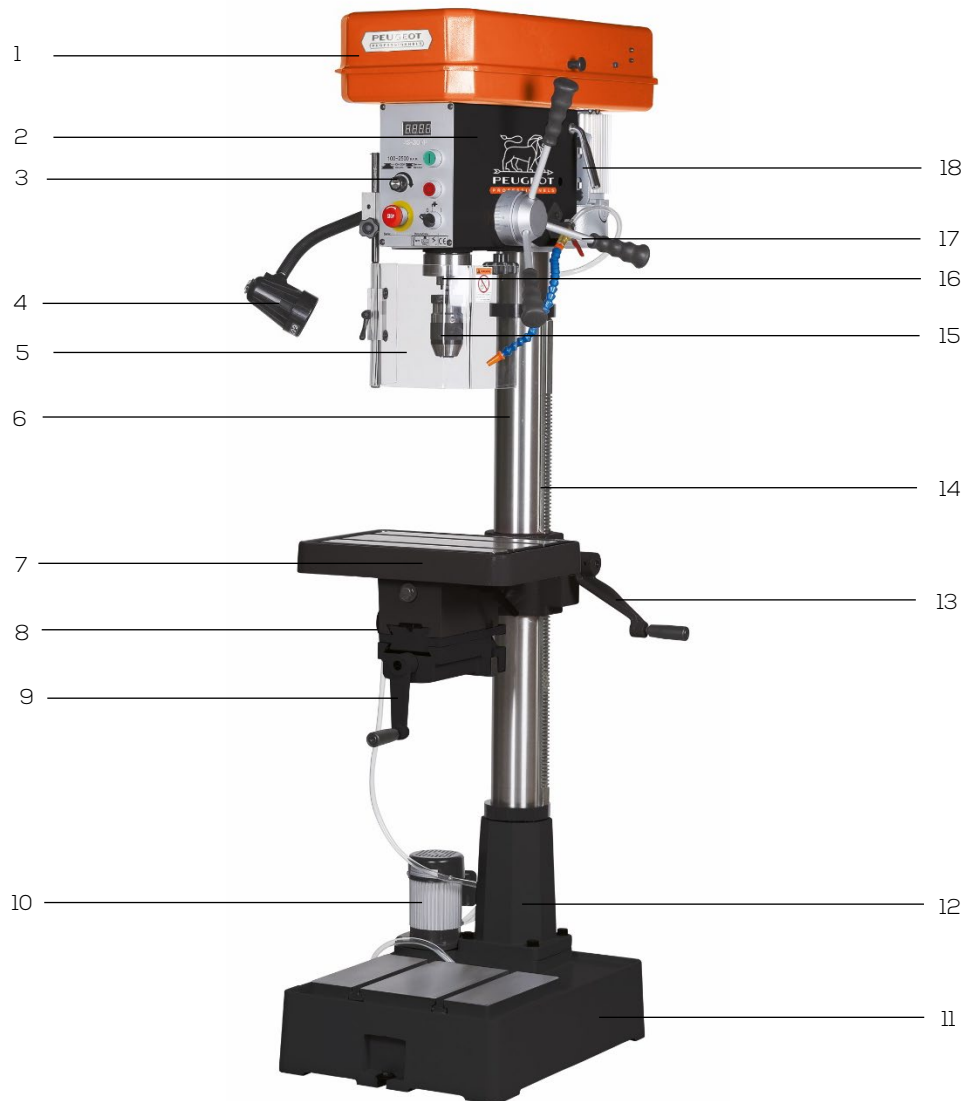


Figure 1

- | | |
|------------------|--|
| 1. Pulley cover | 10. Cutting fluid pump |
| 2. Drill head | 11. Base |
| 3. Control panel | 12. Column support |
| 4. LED light | 13. Table-clamp "up-down" crank handle |
| 5. Chuck guard | 14. Rack |
| 6. Column | 15. Chuck |
| 7. Table | 16. Spindle |
| 8. Vise | 17. Capstan arm |
| 9. Vise crank | 18. Motor |

5 INSTALLATION



The procedures described below must be performed by qualified and authorized personnel.

5.1 PACKAGING

The drill is packaged in a cardboard box on a pallet, facilitating handling, transport, and storage.

Use a pallet truck or forklift to move the drill. Several people are required to set it up.

When unpacking, remove each part of the machine, check its general condition, and then proceed with assembly.

Check that the machine is clean. The machine is delivered with the ground parts coated with a protective anti-rust oil.

If the product does not appear to be in good condition or if any parts are broken or missing, contact your dealer.

Keep the instruction manual for future reference.



A small moisture-proof bag may be included in the packaging. Keep it out of the reach of children and throw it away.

5.2 HANDLING AND TRANSPORT



This machine has a very high center of gravity, so be careful of the risk of tipping. Check that the screws securing the head to the column are tightened properly.

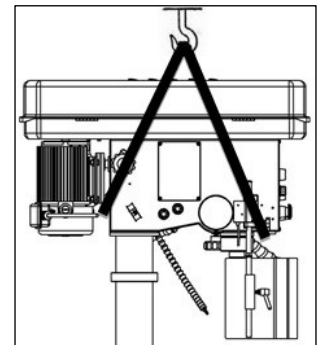


Given the weight (198 kg) and dimensions of the machine, handling and installation must be carried out using appropriate equipment and with the assistance of several people.

To lift the drill, use a slinging system (e.g., polyester cables of adequate capacity with hooks) and position it as shown in the attached figure. Check that the moving parts are locked.

Ensure that the head is securely locked.

Lift the drill with the utmost care; keep people who are not involved in the lifting away.



5.3 SETTING UP THE MACHINE



Installation environment:

Power supply voltage in accordance with the machine specifications.

Ambient temperature between +5°C and +35°C.

Consider the location of the machine in the room; it must allow for easy movement and maneuverability. Maintain a minimum distance of 800 mm between the rear of the machine and the wall.

Place the machine on a concrete floor approximately 200 mm thick, with a width exceeding the frame by 100 mm on each side.

Ensure that the floor surface is level and smooth.

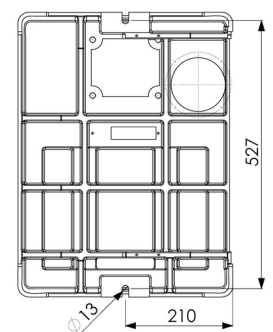
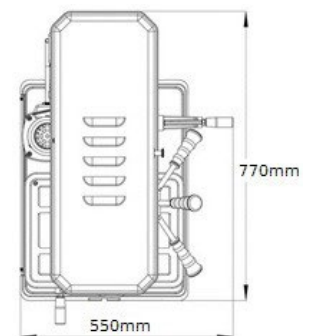
With the help of several people, position the machine on a sufficiently flat, non-slip floor so that it is as stable as possible.

Drill holes for fastening at the base anchoring points (17 fig.1) and proceed with fastening.

Secure the machine to the floor using appropriate washers, nuts, and bolts driven into the concrete so that it is as stable as possible.

Before tightening the bolts, check that the drill is level. To correct, wedge sheets of metal of suitable thickness (gauge sheet) between the floor and the base of the machine.

To drill holes in accordance with ergonomic criteria, the ideal height for positioning the work surface is approximately 90/95 cm from the floor.



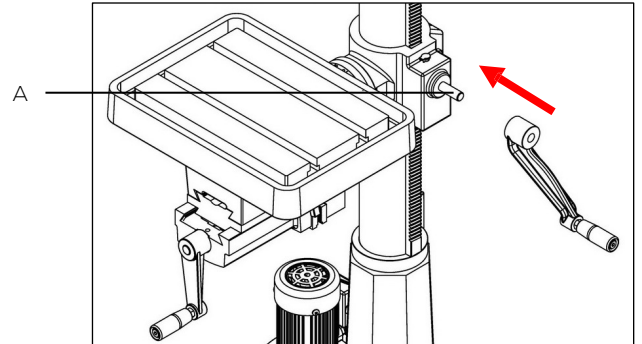


Cleaning the new machine:

- All machines are delivered with the ground parts covered with a protective anti-rust grease. Before using the machine, remove this grease with a thinner. This operation is very important and must be carried out with the utmost care: failure to remove the grease could cause seizing.
- Check that the surfaces of the drill are free of dust and chips.
- After cleaning, all exposed parts must be coated with a protective oil film using a medium viscosity oil.

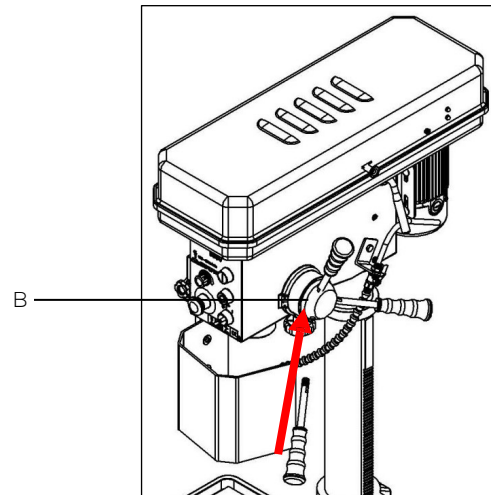
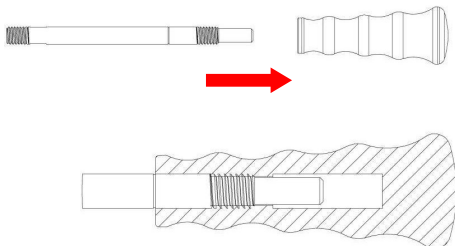
5.4 ASSEMBLY

1. Place the table vice "up/down" crank handle with its knob (20 fig.1) on the pinion shaft of the table vice support collar and tighten the crank handle clamping screw against the flat part of the pinion shaft (A).

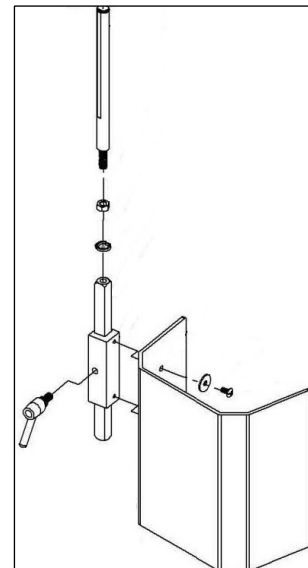


2. The capstan arms (29 fig.1) must be correctly installed for spindle descent:
 - Screw the capstan arms onto the capstan (B) and tighten.

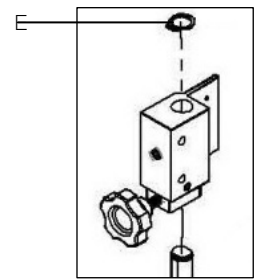
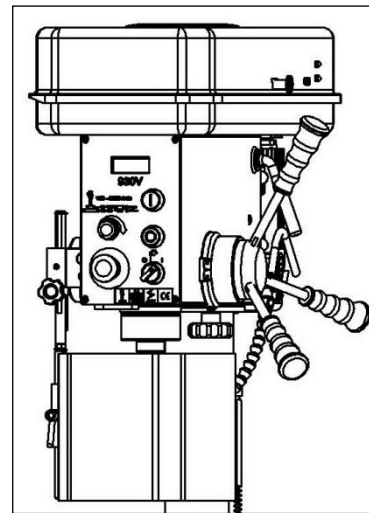
- ✓ Screw the handles onto the arms as shown in the attached figure.



3. Assemble the complete chuck guard assembly (9 fig.1) correctly.
4. Tighten the chuck guard movement lock handle (8 fig.1).



5. Slide the complete chuck guard assembly into its holder on the left side of the
6. drill head (4 fig.1).
7. Insert the circlip (E) to prevent the pin from coming out of its holder.
8. Position the shaft and tighten the handle (5 fig.1).



5.5 ELECTRICAL CONNECTION



Electrical work must be carried out by qualified personnel authorized to perform low-voltage electrical work.



Before mounting a tool, check that the drill spindle rotates clockwise (a pictogram is present on the machine). The warranty does not cover damage caused by incorrect connection.



ELECTRICAL PRESENCE

Ensure that the supply voltage of the electrical installation corresponds to that of the machine.

Connect the machine to the power supply using the machine's power cable.

Check that the electrical outlet is compatible with the machine's plug (3P+T).

For the electrical connection, the socket used must comply with the "EN 60309-1" standards.

Check that the electrical installation to which the machine will be connected is properly earthed in accordance with current safety standards.

Do not use a welding machine or any other device that could overload the same electrical installation line as the machine.

We remind the user that there must always be a magnetothermal protection device upstream of the electrical installation to protect all conductors against short circuits and overloads.

This protection must always be selected based on the electrical characteristics of the machine, as specified on the nameplate:

- Voltage: 400 V three-phase
- Frequency: 50 Hz
- Motor power: 1.5 kW
- Current: 5 A
- Protection rating: IP 54



Do not use a welding machine or any other device that could overload the same electrical line as the machine.



Use of the machine with a damaged power cable is strictly prohibited. Regularly check the condition of the power cord, switches, and cable gland.



Use an extension cord or cable reel with a cross-section and length that are compatible with the machine's power rating, and unroll them completely. Electrical connections and extension cords must be protected from splashes and kept on dry surfaces.



Do not remove the plug from the electrical outlet by pulling on the cord; pull only on the plug.

5.6 INITIAL TEST AND INSPECTION BEFORE FIRST USE

- Check that the drill head is securely attached to the column, the column is attached to the base, the base is attached to a pedestal or workbench, and the pedestal or workbench is attached to a sufficiently flat and non-slip floor, so that the pedestal or workbench is as stable as possible.
- Ensure that the table is correctly positioned on its support and that the support is securely attached to the column.
- Check that the moving parts are working properly and that there are no damaged components.
- Check that the guards are in place, intact, and in good working order.
- Check the condition of the tool.
- Check that the spindle descent, chuck guard adjustment, and table "UP/DOWN" functions are working properly.
- Check that the pulleys are correctly aligned.
- Check that the belts are correctly positioned.
- Check that the belts are correctly tensioned.
- Check that the machine runs perfectly when idle.

6 TOOLS



Disconnect the machine from the power supply before changing any tools.



**Never install a damaged tool.
Replace the tool when it is worn or broken to avoid additional vibrations and inaccurate machining.**



**Check that the tool is clean.
Install a tool that complies with the machine's recommendations for use.**



The tool can become very hot during machine operation. Wait for the tool to cool before replacing it.



Remove all objects from the table before any operation.



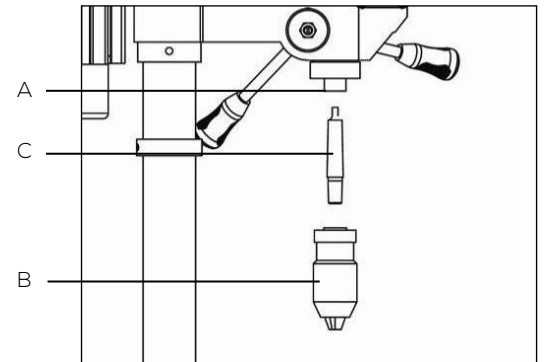
Risk of puncture, pricking, pinching, or crushing.

Protective gloves must be worn.

 6.1  TOOL ASSEMBLY

Procedure:
A. CM2 - B18 chuck shank with 1 to 16 mm self-tightening chuck - B18

1. Degrease the inside of the spindle (A), the chuck (B), and the tapered part of the chuck tail (C) using a dry cloth.
2. Firmly push the chuck tail (C) into the chuck (B) by hand.
3. Firmly push the chuck (B) and chuck tail (C) assembly into the spindle (A) by hand.
4. Mount the cylindrical shank tool $\varnothing 1$ mm to $\varnothing 16$ mm in the chuck (B).


B. Tapered shank tool

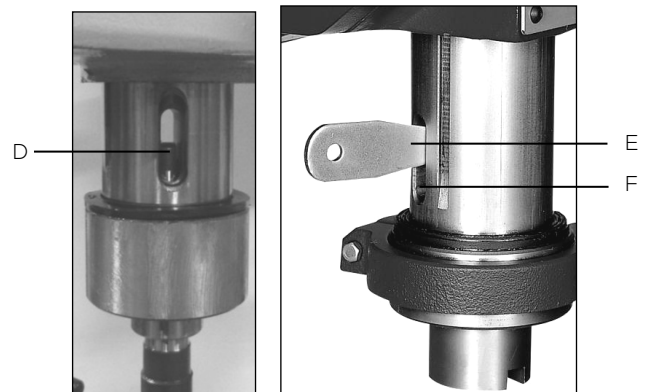
1. Degrease the inside of the spindle (A) and the tapered part of the tool using a dry cloth.
2. Mount the tapered shank tool directly in the spindle (A) (if necessary, adjust the size of the Morse taper using a suitable reducer or extender).

**Before assembling the chuck shank + chuck in the drill spindle, clean all contact surfaces with a thinner.
Any oil or grease used in the packaging of these parts must be removed, otherwise the chuck may come loose during operation.**


 6.2  TOOL DISASSEMBLY

Procedure:

1. Position the table approximately 250 mm below the tool.
2. Lower the spindle using the capstan arms by approximately 100 mm.
3. Lock the spindle in place using the depth stop.
4. Turn the spindle by hand so that you can see the tapered tool (D) (the spindle bore must be correctly aligned with the sleeve bore).
5. Insert a cone puller (E) into the spindle bore (F).
6. Hold the tool in your hand and tap the end of the cone puller lightly with a mallet to extract the tool.



7 ADJUSTMENTS



Follow the specific safety instructions for the drill (see § 3.2).



Before starting operation, familiarize yourself with the controls.



Wearing appropriate personal protective equipment is mandatory.

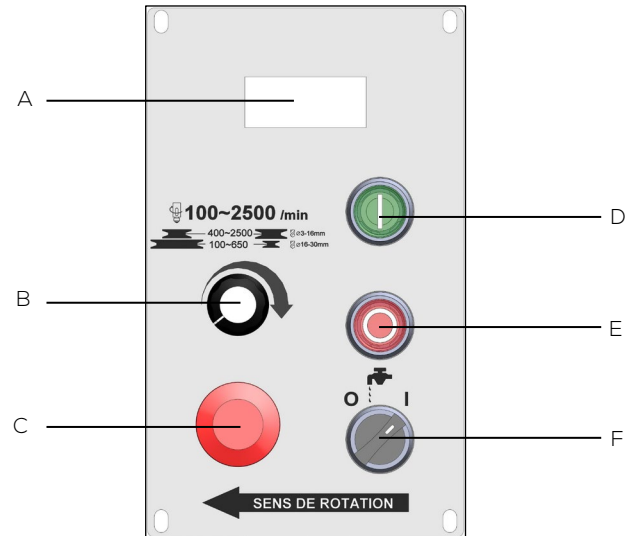


Before any maintenance or servicing operation, disconnect the machine.

7.1 CONTROL DEVICES

Control panel

- A. DIGITAL DISPLAY
 - Indicates the spindle rotation speed
- B. SPINDLE ROTATION SPEED POTENTIOMETER
 - Allows you to vary the spindle rotation speed
- C. STOP PUNCH WITH LOCK
 - General machine stop D
- D. Green "I" button MACHINE OPERATION
 - The machine spindle and cutting fluid pump are activated
- E. Red "0" button STOP
 - Spindle and cutting fluid pump stop
- F. CUTTING FLUID switch
 - Position "0": the cutting fluid pump is inactive
 - Position "I": the cutting fluid pump is active



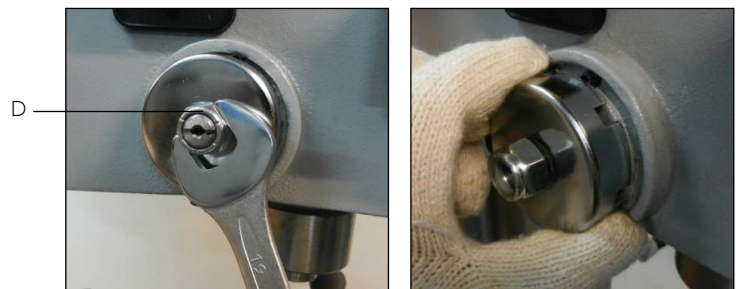
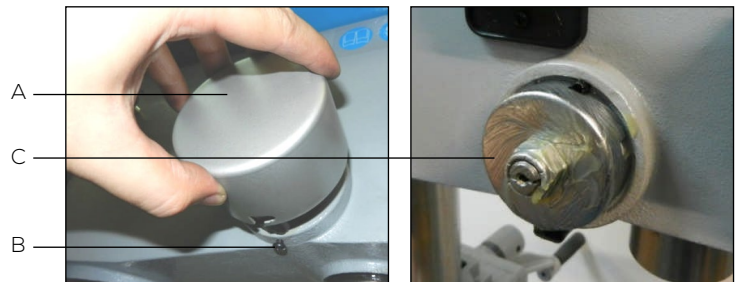
7.2 SPINDLE RETURN SPRING



Disconnect the machine from the power supply before performing this operation.

The drill is supplied with the spindle counterbalanced by a spiral spring (factory-set). However, the spindle return spring may need to be adjusted if the spring tension causes the spindle to return too quickly or if the spindle no longer returns to the upper position:

1. Remove the return spring cover (A) by unscrewing the screw (B) a few turns.
 2. Wipe the oil off the return spring housing (C) to prevent it from slipping between your fingers.
 3. Hold the housing (C) and loosen the nut (D) without removing it completely.
- Be careful of the risk of the spring case (C) popping out suddenly.
4. While holding the spring housing (C) firmly, pull and turn carefully in the appropriate direction to increase or decrease the spring tension (counterclockwise to increase spring tension or clockwise to decrease spring tension) until a notch on the spring housing aligns with a slot.
 5. Once the adjustment has been made, engage the case in its slot (E).
 6. Tighten the nut.
 7. Test the spindle lift.
 8. Reapply oil to the housing (C).
 9. Replace the return spring cover (A).



Avoid returning the spindle too abruptly to avoid risks and not compromise the life of the return spring.

7.3  DEPTH STOP


Disconnect the machine from the power supply before performing this operation.

To avoid lowering the spindle as far as possible or to prevent drilling a through hole, the spindle descent limit can be adjusted using the depth stop located on the capstan to the right of the drill head. To stop drilling at the desired depth:

- Check that the spindle (27 fig.1) is in the upper position and that the depth stop (A) is loosened.
- Turn the graduations (B) to the desired drilling depth.
- Tighten the depth stop (A).
- Lower the spindle (27 fig.1) using the arms (C) to check the drilling height.

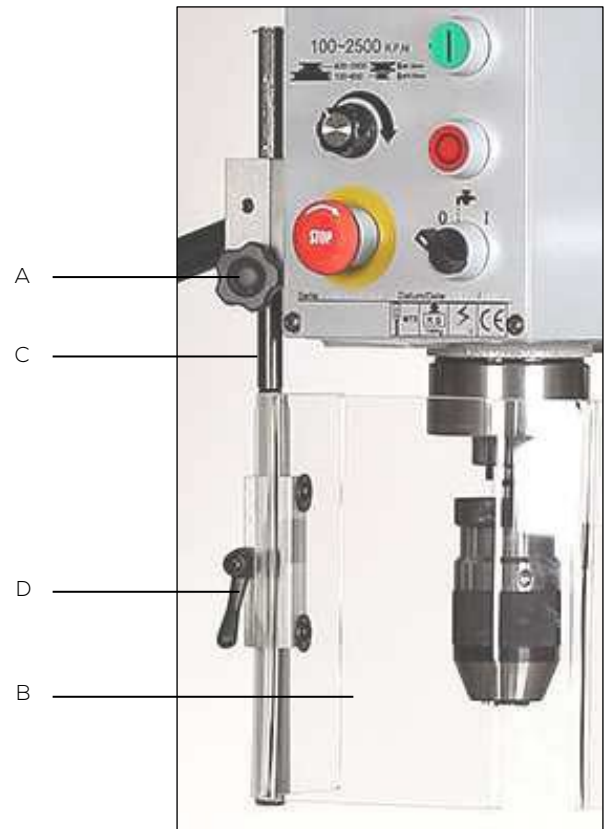


7.4 CHUCK PROTECTION SCREEN

Before using the drill, fit and adjust the servo-controlled polycarbonate chuck guard correctly:

- A. Raising/lowering the spindle guard shaft:
1. Loosen the knob (A).
 2. Set the mandrel guard (B) to the desired height using the shaft (C).
 3. Tighten the knob (A).
- B. Raising/lowering the spindle guard:
1. Loosen the handle (D).
 2. Set the chuck guard (B) to the desired height on the pin (C).
 3. Tighten the knob (D).

- ✓ Close the chuck guard before starting the machine (a safety microswitch ensures that it is closed).



7.5  TABLE


Stop the machine before moving the table or the material to be drilled.



Never hold the material to be drilled with your hands; secure it firmly using a vice or clamps.



Remove all objects from the table and the tool from the chuck before starting any operation.



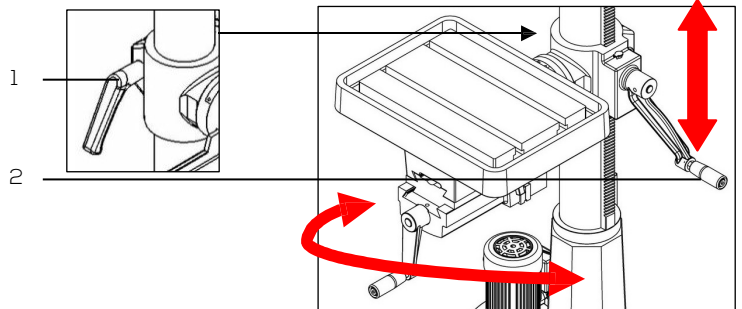
Risk of pinching and crushing.



Secure the vise or material to the table using a set of clamps.

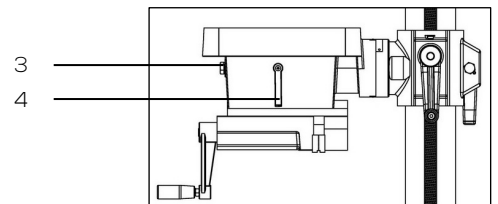
A. Move the table-vice vertically:

1. Loosen the locking handle on the vise table support collar (1).
2. Turn the crank handle (2) to raise/lower the vise table.
3. Tighten the locking handle on the vise table support collar (1).



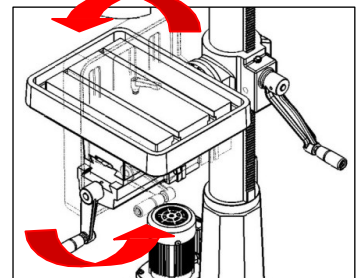
B. Rotate the vise table:

1. Loosen the locking handle on the vise table support collar (1).
2. Rotate the table vice.
3. Tighten the locking handle on the vise table support collar (1).



C. Tilt the vise table:

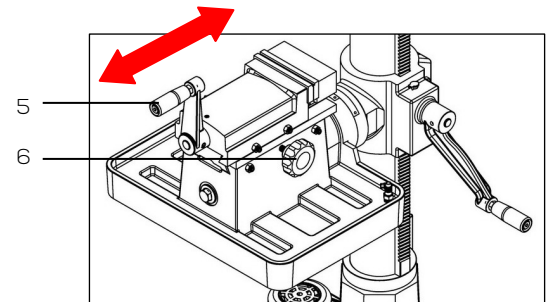
1. Adjust the height of the vise table so that there is no risk of pinching or crushing with other parts.
2. Loosen the bolt (3) and the vise table locking handle (4).
3. Tilt the table vice to the desired angle using the mark as a guide.
4. Tighten the bolt (3) and the vise clamp handle (4).



Avoid overtightening the bolt to prevent breaking the pivot of the vise table support collar.

D. Slide the vise into its seat:

1. Loosen the handle (5).
2. Move the vise forward or backward depending on the part to be drilled.
3. Tighten the handle (5).
4. Hold the workpiece in place by tightening the jaws using the vise handle (6).



To work safely, the material must always be securely clamped using a suitable clamping tool on the T-slot table or in the vise.

7.6 SELECTING THE SPINDLE ROTATION SPEED



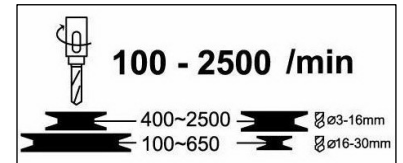
The speed range must be selected when the drill is switched off.



Risk of entanglement or wrapping.

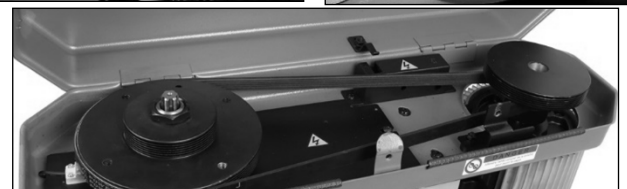
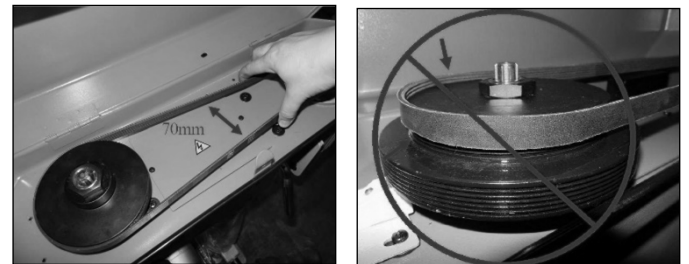
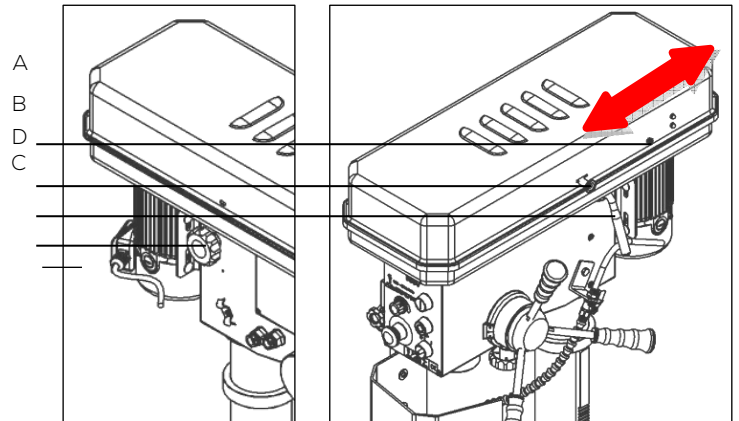
The spindle rotation speed is adjusted by changing the position of the belt on the drive pulleys.

Refer to the attached speed chart (also located on the front of the drill head).



To select the spindle rotation speed:

1. Stop the machine.
2. Unscrew the safety screw on the pulley cover (A).
3. Open the pulley cover using the handle (B) and check that the speed is suitable for the job.
4. If it is not, unscrew the belt tension locking knob located on the left side of the drill head (C).
5. Move the motor to the left using the motor adjustment handle located to the right of the drill head (D) to loosen the belt and change the belt position according to the attached diagram to obtain the desired speed.
6. Tighten the belt using the handle (D) to the right and lock the motor in the selected position using the belt tension lock handle (C).
7. To ensure that the belt is correctly tensioned, it should have a deformation distance of approximately 70 mm.
8. Check that the belt is correctly positioned.
9. Check that the pulleys are correctly aligned.
10. Close the pulley cover.
11. Re-tighten the pulley cover safety screw (A).
12. Close the pulley cover properly before starting the machine (an electric safety lock ensures that it is closed).



✓ An electric safety lock (D) prevents the machine from operating if the pulley cover is open.



**Check that the pulleys are correctly aligned.
Check that the belt is correctly positioned and tensioned.**



Change gears with the spindle raised to its original position.



After tensioning the belt, ensure that the opening in the pulley cover at the motor is less than or equal to 8 mm.



TABLE OF RECOMMENDED ROTATION SPEEDS BASED ON MATERIALS AND TOOL DIAMETERS

Diameter (mm)	Cast iron (rpm)	Steel (rpm)	Iron (rpm)	Aluminum (rpm)	Copper alloy (rpm)
Ø 2	4780	1275	3980	7960	4460
Ø 3	3185	850	2650	5310	2970
Ø 4	2390	640	1990	3980	2230
Ø 5	1910	510	1590	3185	1785
Ø 6	1590	425	1330	2655	1485
Ø 7	1365	365	1140	2275	1275
Ø 8	1195	320	995	1990	1115
Ø 9	1060	285	885	1770	990
Ø 10	955	255	800	1590	890
Ø 11	870	230	725	1450	910
Ø 12	795	210	665	1330	745
Ø 13	735	195	610	1225	685
Ø 14	680	180	570	1135	635
Ø 15	640	170	530	1060	600
Ø 16	600	160	500	995	560
Ø 17	560	150	470	935	525
Ø 18	530	140	440	885	495
Ø 19	500	135	420	835	470
Ø 20	480	130	400	795	445
Ø 25	380	100	320	640	355
Ø 30	320	85	265	530	300

7.7 CUTTING FLUID



Disconnect the machine from the power supply before performing this operation.
When cleaning, remove any chips that may be sharp and hot while wearing protective goggles and gloves, and collect them in containers. Avoid using a blow gun; instead, use a clean, dry cloth, brush, long-handled brush, hook, magnetic collector, or vacuum cleaner. Do not use solvents or aggressive detergents.



It is very important to prevent cutting fluid from spilling onto the surrounding area, as this creates a slipping hazard.

The drill has a lubrication system powered by an electric pump:

Ensure that a sufficient quantity of cutting fluid (consisting of water and soluble oil) is added to the filling tank (A) located at the base of the drill (remove the plate first).

The capacity of the filling tank is 5 liters.

Dilute the soluble oil according to the percentages specified by the product manufacturer (generally 10% to 15%).

Watering is provided by an electric pump (B) that draws the cutting fluid from the filling tank.

Activate the spray switch located on the control panel.

Ensure that a sufficient quantity of cutting fluid is used to lubricate the tool.

The flow rate is adjusted using a valve (C) located upstream of the cutting fluid hose (D) (perpendicular position: closed).

Lubrication is essential for most metals. For aluminum and its alloys, it helps the removal of chips from the tool, resulting in a better surface finish on the drilled hole. Cast iron, brass, and other non-metallic materials (plastic, graphite, etc.) do not require lubricant.

Cleaning the lubrication system:

Remove the electric pump (B) from the base of the machine

Remove the plate located on the left side of the base.

Remove the filling tank (A).

Empty the tank by removing it from the base.

Clean the tank, electric pump, grid (E), and cutting fluid pipes (F) and hose (D).

Reassemble the unit.

Fill the tank with cutting fluid.

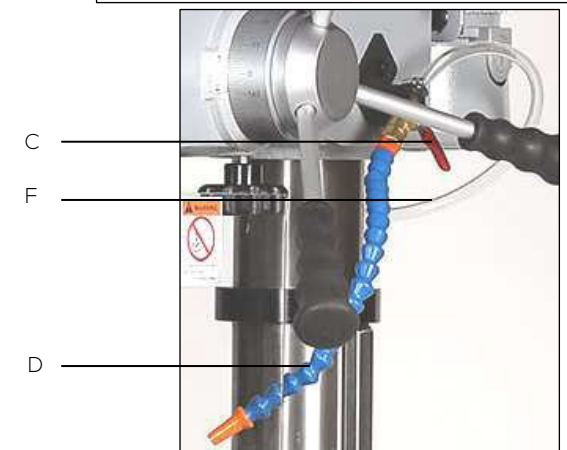
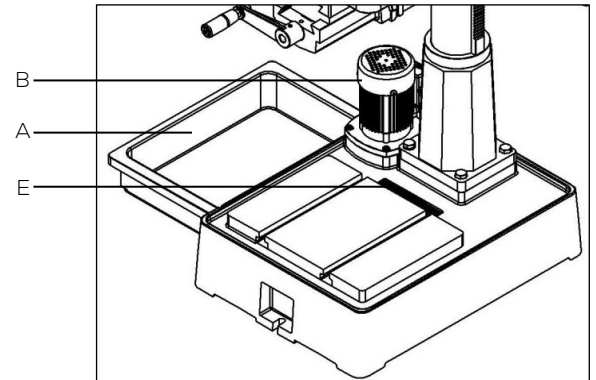
Electrical specifications of the pump:

Voltage: 400 V

Current: 0.2 A

Power: 0.1 kW

Frequency: 50 Hz



Motor with thermal overload protection

7.8 DRILLING PROCEDURE



Follow the specific safety instructions for the drill (see § 3.2).



Before starting operation, familiarize yourself with the controls.



Wearing appropriate personal protective equipment is mandatory.



All operations relating to the machining procedure must be carried out when the spindle is in the upper position and the tool is stopped.



Ensure that the tool is firmly locked in the chuck or spindle.



**Keep hands away from machining areas when the machine is in operation.
Before performing any operation to position the material or remove cutting waste, stop the machine.**



Never hold materials to be drilled by hand; clamp them securely using appropriate tools such as vices and clamping systems.



During use, there is a risk of hot metal debris being projected.



Do not apply excessive pressure to the tool. Machining performance is not improved by applying high pressure to the tool, but the service life of the tool and machine will be reduced.



Before performing any maintenance or servicing, disconnect the machine.

A. Instruction

1. Ensure that the tool selected is suitable for the material to be drilled.
2. Check that the tool is sharp and securely tightened.
3. Ensure that the spindle speed is appropriate for the work to be performed.
4. Ensure that the material to be drilled is securely clamped to the table or in the vise to prevent it from shifting during machining.
5. Adjust the height of the work table.
6. Adjust the depth stop correctly.
7. Adjust the chuck guard.
8. Close the chuck guard (an electrical safety lock ensures closure).
9. Connect the machine's power supply.
10. Adjust the laser guide, if necessary (see § 7.9).
11. Turn on the LED light, if necessary (see § 7.8).
12. Unlock the emergency stop button and/or reconnect the safety devices.
13. Press the green "I" switch to start the machine.
14. Ensure that no one is in the path of debris caused by machining.
15. Do not start machining against the material or strike the tool against the material to be drilled, but work by applying moderate pressure to the capstan arms.
16. If necessary, use the optional lubrication system or manually apply cutting fluid to cool the tool.
17. Carefully raise the spindle once machining is complete.

B. Shutdown

1. Press the red "O" switch to turn off the spindle.
2. Turn off the LED light.
3. Lock the push-button stop switch.
4. Open the chuck guard.



When machining is complete, return the spindle to its starting position (rest, upward).

7.9 OPERATING INCIDENTS

A. Tool jamming in the material



Wearing protective gloves is mandatory.

1. Stop the machine by pressing the emergency stop button.
2. Open the chuck guard.
3. Carefully unblock the tool by turning the chuck counterclockwise while raising the spindle with the spindle lowering arms.
4. Carefully remove the material.
5. Check that the tool is not damaged.
6. When the tool is tightened, replace the chuck guard.
7. Unlock the punch stop.



Replace the tool if it is damaged.



Work by applying more moderate pressure on the capstan arms.

B. Chip winding around the tool



Do not remove the chip by hand.

If the chip becomes twisted:

1. Reassemble the tool.
2. If this is not enough to eject the chip, stop the machine by immediately pressing the emergency stop button.
3. Remove the chip using a hook.

C. Restarting a cycle following a punch stop

1. Unlock the emergency stop.
2. Carefully raise the spindle.
3. Press the green "I" switch to start the machine.

D. Power failure

1. Carefully raise the spindle.
2. Press the green "I" switch to start the machine.



The machine is equipped with an electrical system with a low voltage device (preventing accidental restarting).

7.10  TABLE OF FAULTS AND SOLUTIONS

FAULT	PROBABLE CAUSE	SOLUTION
The machine does not work:	<ul style="list-style-type: none"> ▪ No power supply. 	<ul style="list-style-type: none"> ➤ Check the power supply. ➤ Check the power outlet. ➤ Check the power cable. ➤ Call an authorized repair technician.
	<ul style="list-style-type: none"> ▪ A safety device has been activated. 	<ul style="list-style-type: none"> ➤ Check that the pulley cover is properly closed. ➤ Check that the chuck guard is properly closed. ➤ Check that the punch stop is unlocked.
Noisy operation:	<ul style="list-style-type: none"> ▪ Incorrect belt tension. 	<ul style="list-style-type: none"> ➤ Adjust the belt tension correctly.
	<ul style="list-style-type: none"> ▪ Spindle not lubricated or dirty. 	<ul style="list-style-type: none"> ➤ Clean and lubricate the spindle.
	<ul style="list-style-type: none"> ▪ Loose pulleys. 	<ul style="list-style-type: none"> ➤ Tighten the pulleys.
The tool is burned or smoking:	<ul style="list-style-type: none"> ▪ Incorrect spindle speed. 	<ul style="list-style-type: none"> ➤ Change the spindle speed.
	<ul style="list-style-type: none"> ▪ Chips not being removed from the drill hole. 	<ul style="list-style-type: none"> ➤ Frequently remove the tool and clean the drill hole.
	<ul style="list-style-type: none"> ▪ Difficult machining. 	<ul style="list-style-type: none"> ➤ Sharpen or replace the tool.
	<ul style="list-style-type: none"> ▪ No lubrication. 	<ul style="list-style-type: none"> ➤ Lubricate the tool.
Excessive vibration:	<ul style="list-style-type: none"> ▪ Bent tool. 	<ul style="list-style-type: none"> ➤ Use a straight tool.
	<ul style="list-style-type: none"> ▪ Tool not properly secured in the chuck. 	<ul style="list-style-type: none"> ➤ Secure the tool correctly.
	<ul style="list-style-type: none"> ▪ Chuck incorrectly installed. 	<ul style="list-style-type: none"> ➤ Reinstall the chuck correctly.
	<ul style="list-style-type: none"> ▪ Defective spindle bearings. 	<ul style="list-style-type: none"> ➤ Replace the spindle bearings.
The tool remains attached to the material:	<ul style="list-style-type: none"> ▪ Material pinching the tool or excessive pressure applied. 	<ul style="list-style-type: none"> ➤ Secure the material firmly or reduce the pressure.
	<ul style="list-style-type: none"> ▪ Incorrect belt tension. 	<ul style="list-style-type: none"> ➤ Adjust the belt tension correctly.
The workpiece is no longer secured:	<ul style="list-style-type: none"> ▪ No proper support or clamping. 	<ul style="list-style-type: none"> ➤ Support or clamp the workpiece correctly.

 7.11  TAKING THE MACHINE OUT OF SERVICE

If the drill is not to be used for an extended period of time, it is recommended to proceed as follows: Unplug the power cord from the power supply.

1. Unplug the power cord from the power supply.
2. Remove all objects from the vise table and the tool from the chuck.
3. Release the return spring.
4. Empty the cutting fluid tank.
5. Clean and lubricate the machine carefully.
6. Cover the machine if necessary.

8 MAINTENANCE



Before performing any maintenance or servicing, disconnect the machine.



Wear gloves and protective eyewear, and use a clean, dry cloth, brush, long-handled brush, hook, magnetic collector, or vacuum cleaner for all cleaning operations (especially when removing chips, which may be sharp and hot).



**Do not use a blow gun to remove machining chips.
Do not use solvents or aggressive detergents for cleaning.
Do not immerse the machine in water or wash it with a water jet.**



Chips are often very sharp and hot. Do not touch them with your bare hands.

To maintain the efficiency of the machine and its components, it is necessary to carry out maintenance.

Below are the most important maintenance tasks, which can be classified according to their frequency as daily, weekly, monthly, semi-annual, and special tasks.

Failure to perform the prescribed tasks will result in premature wear and tear and reduce the performance of the machine.



8.1 DAILY MAINTENANCE

- Clean the machine as normal to remove any chips that have accumulated (collect them in bins).
- Clean the spindle cone.
- Clean the cutting fluid outlet to prevent excess fluid.
- Check that the motor ventilation grilles are clear.
- Check and refill the cutting fluid container.
- Check that the tools are not worn.
- Lubricate all sliding and ground parts before starting up the drill (pay particular attention to the sleeve and column).
- Lubricate the mechanism for raising and lowering the vise table using the oil nipple provided for this purpose on the vise table support collar.
- Check that the protective covers, safety devices, and stop mechanisms are working properly.

8.2 WEEKLY MAINTENANCE

- Clean the machine thoroughly and carefully, removing any chips from the cutting fluid tank (collect them in containers).
- Clean and lubricate the spindle.
- Sharpen the tools.
- Remove the pump from the casing and clean the cutting fluid suction area.
- Check that the screws are tight.
- Check that the protective casings and control mechanisms are working properly, looking for any defects.

8.3 MONTHLY MAINTENANCE

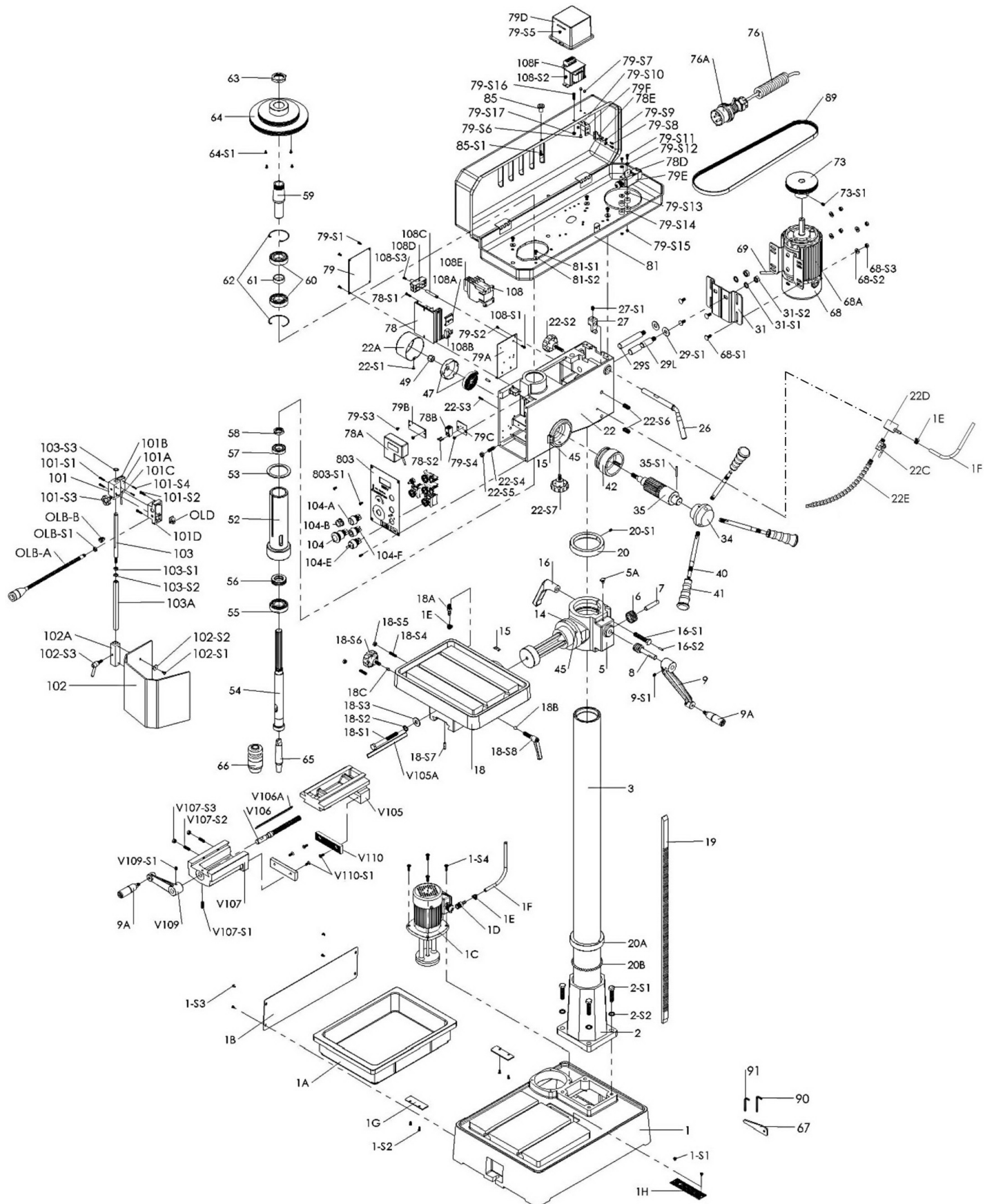
- Tighten all screws.
- Check the integrity of the protective covers and devices.
- Drain the cutting fluid, remove the pump from the casing, and clean the cutting fluid suction area (see section 7.7).
- Check that the spindle pulley nut is tight.
- Clean and grease the spindle pulley section.
- Check that the screws on the motor, pump, and protective covers are tight.
- Check and replace the power cable if necessary.
- Coat exposed parts with a protective oil film.

8.4 SIX-MONTHLY MAINTENANCE

- Test the continuity of the equipotential protection circuit.

9 EXPLODED VIEW

EXPLODED VIEW PPSC30VETE (VIEW 01)



EXPLODED VIEW NOMENCLATURE PPSC30VETE (VIEW 01)

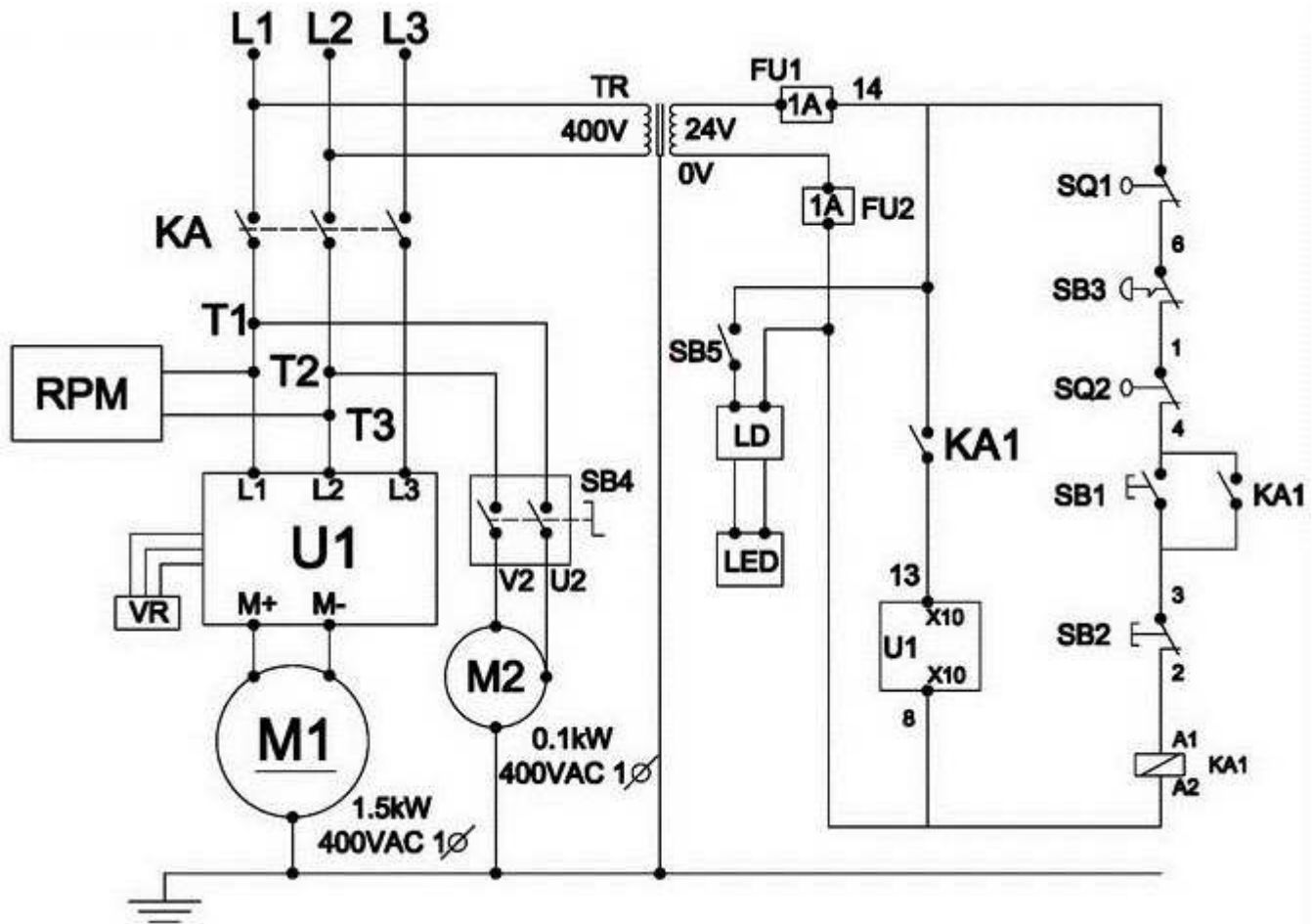
Reference	Description	Quantity
001	BASE	1
001A	LIQUID CUTTING TANK	1
001B	PLATE	1
001C	CUTTING FLUID PUMP	1
001D	PUMP CONNECTOR	1
001E	CLAMP	1
001F	CUTTING FLUID HOSE	1
001G	CUTTING FLUID SUPPORT	1
001H	GRID	1
001-S1	SCREW	2
001-S2	SCREW	4
001-S3	SCREW	4
001-S4	SCREW	1
002	COLUMN SUPPORT	4
002-S1	BOLT	4
002-S2	WASHER SPRING	1
003	COLUMN	1
005	TABLE SUPPORT COLLAR	1
005A	OILER	1
006	PINION	1
007	PINION AXLE	1
008	WORM SCREW	1
009	TABLE CRANK	1
009A	CRANK HANDLE	1
009-S1	SCREW	1
014	GRADUATION	1
015	ANGLE INDICATOR	1
016	TABLE SUPPORT CLAMP LOCKING HANDLE	1
016-S1	BOLT	1
016-S2	PIN	1
018	TABLE	1
018A	CUTTING FLUID HOSE CONNECTOR	1
018B	SLEEVE	1
018C	SOCKET	1
018-S1	TABLE-CLAMP BOLT	1
018-S2	SPRING WASHER	1
018-S3	WASHER	1
018-S4	SCREW	2
018-S5	NUT	2
018-S6	CLAMP HANDLE	1
018-S7	PIN	1
018-S8	TABLE-VISE CLAMPING HANDLE	1
019	RACK	1
020	RACK RING	1
020A	COLUMN RING	1
020B	SEAL	1
020-S1	SCREW	1
022	DRILL BIT HEAD	1
022A	RETURN SPRING COVER	1
022C	FLEXIBLE CUTTING FLUID VALVE	1
022D	FLEXIBLE MAGNETIC CUTTING FLUID BASE	1
022E	FLEXIBLE CUTTING FLUID	1
022-S1	SCREW	1
022-S2	BELT TENSION LOCKING HANDLE	1
022-S3	PIN	2
022-S4	SCREW	1
022-S5	NUT	1
022-S6	SCREW	2
022-S7	DEPTH STOP HANDLE	1
026	MOTOR ADJUSTMENT HANDLE	1
027	FLANGE	1
027-S1	SCREW	1
029L	SLIDING BAR (L)	1
029S	SLIDING BAR (S)	1
029-S1	WASHER	2
031	MOTOR SUPPORT #RAL 9004	1
031-S1	SPRING WASHER	2
031-S2	NUT	2
034	CAPSTAN	1
035	CAPSTANE AXLE	1
035-S1	PIN	1
040	CAPSTANE ARM	3
041	CAPSTANE ARM HANDLE	3
042	CAPSTAN COLLAR	1
045	RIVET	1
047	RETURN SPRING + HOUSING	1
049	RETURN SPRING NUT	1
052	SHEATH	1
053	SEAL	1
054	PIN	1
055	BEARING	1
056	THRUST BEARING	1

057	BEARING	1
058	SPINDLE NUT	1
059	SPINDLE PULLEY AXLE	1
060	BEARING	2
061	SPACER	1
062	CIRCLIPS	2
063	PULLEY NUT	1
064	PULLEY SPINDLE	1
064-S1	PIN	4
065	XPLR+QM CM3 - B18 CHUCK SHANK	1
066	XPLR+MAS SELF-CLAMPING CHUCK FROM 1 TO 16 MM B18	1
067	XPLR+CHC 3/4 MANUAL CONE DRIVER	1
068	ENGINE	1
068A	ENGINE CASING	1
068-S1	BOLT	4
068-S2	WASHER	4
068-S3	NUT	4
069	MOTOR CABLE	1
073	MOTOR PULLEY	1
073-S1	SCREW	1
076	POWER CABLE	1
076A	POWER PLUG (NOT INCLUDED)	1
078	CONVERTER	1
078A	DIGITAL DISPLAY	1
078B	SPEED SENSOR ES-180450 10-30VDC	1
078D	MICRO-SWITCH HOOD-PULLEYS	1
078E	MICRO-SWITCH KEY	1
078-S1	SCREW	1
078-S2	SCREW	2
079	ELECTRICAL PROTECTION PLATE	1
079A	ELECTRICAL SUPPORT PLATE	1
079B	DIGITAL DISPLAY SUPPORT	1
079C	SPEED SENSOR SUPPORT	1
079D	TRANSFORMER COVER	1
079E	MICRO-SWITCH SUPPORT PLATE HOOD-PULLEY CLOSURE	1
079F	MICRO-SWITCH SUPPORT FOR HOOD-PULLEYS	1
079-S1	SCREW	4
079-S2	SCREW	4
079-S3	SCREW	2
079-S4	SCREW	2
079-S5	SCREW	2
079-S6	SCREW	2
079-S7	NUT	2
079-S8	SCREW	2
079-S9	WASHER	2
079-S10	NUT	2
079-S11	SCREW	2
079-S12	WASHER	2
079-S13	WASHER	2
079-S14	SLEEVE	4
079-S15	NUT	2
079-S16	SECURITY SCREW FOR OPENING HOOD-PULLEYS	1
079-S17	NUT	1
081	PULLEY COVER #RAL 2008	1
081-S1	SCREW	4
081-S2	WASHER	4
085	HANDLE FOR HOOD-PULLEYS	1
085-S1	CAP-PULLEY HANDLE SCREW	1
089	BELT 490J / 6PJ1245	1
090	KEY	1
091	CLE	1
101	MICRO-SWITCH SUPPORT PROTECTIVE SCREEN	1
101A	MICRO SWITCH PROTECTIVE SCREEN	1
101B	MICRO-SWITCH PROTECTIVE SCREEN COVER	1
101C	MICRO-SWITCH CONNECTION	1
101D	MICRO-SWITCH SUPPORT BASE PROTECTIVE SCREEN	1
101-S1	SCREW	2
101-S2	SCREW	2
101-S3	WHEEL AXLE PROTECTIVE SCREEN	1
101-S4	SCREW	2
102	PROTECTIVE SCREEN ONLY	1
102A	SLIDING SUPPORT AXLE PROTECTIVE SCREEN	1
102-S1	SCREW	1
102-S2	WASHER	1
102-S3	HANDLE SUPPORT SLIDE AXLE PROTECTIVE SCREEN	1
103	UPPER AXLE PROTECTIVE SCREEN	1
103A	LOWER AXLE PROTECTIVE SCREEN	1

103-S1	NUT	1
103-S2	SPRING WASHER	1
103-S3	CIRCLIPS	1
104	PUNCH STOP (AC 600V 10A / GLEB-22)	1
104-A	ON SWITCH	1
104-B	SPINDLE ROTATION SPEED POTENTIOMETER	1
104-E	LIQUID CUT-OFF SWITCH	1
104-F	"OFF" SWITCH	1
108	MAGNETIC CONTACTOR	1
108A	RAIL	1
108B	GROUNDING	1
108C	FUSE TERMINAL SUPPORT AXIS	1
108D	FUSE TERMINAL BLOCK	1
108E	RELAY	1
108F	TRANSFORMER	1
108-S1	SCREW	1
108-S2	SCREW	2
108-S3	SCREW	1
V105	FIXED JAW VISE	1
V105A	LARDON	1
V106	WORM SCREW	1
V106A	LARDON	1
V107	VISE WITH MOVABLE JAW	1
V107-S1	VIS	1
V107-S2	VIS	2
V107-S3	NUT	2
V109	CRANK VISE	1
V109-S1	SCREW	1
V110	BOLT	2
V110-S1	SCREW	4
803	FRONT	1
803-S1	SCREWS	4
OLB-A	LED LAMP	1
OLB-B	LED LAMP SWITCH	1
OLB-S1	NUT	1
OLD	LED DRIVER	1

10 ELECTRICAL DIAGRAM

ELECTRICAL DIAGRAM PPSC30VETE (VIEW 02)



PARTS LIST ELECTRICAL DIAGRAM PPSC30VETE (VIEW 02)

Reference	Description	Quantity
M1	MOTOR (400V / 1PH / 1.5KW / 5A)	1
M2	ELECTRIC PUMP (400V / 1PH / 0.1KW / 0.2A)	1
KA	MAGNETIC CONTACTOR (UI 600V / 25A)	1
KA1	RELAY (UI 600V / 10A)	1
VR	POTENTIOMETER (DC10V)	1
U1	VARIABLE SPEED DRIVE (400V / 1PH / 1.5KW)	1
RPM	DISPLAY (400/12V / 1PH)	1
TR	TRANSFORMER (400/24V)	1
FU	FUSE (24V / 1A)	2
SQ1	MICROSWITCH HOOD-PULLEYS (250V / 10A)	1
SQ2	MICROSWITCH CHUCK PROTECTIVE SHIELD (250V / 10A)	1
SB1	START BUTTON (UI 600V / 10A)	1
SB2	"OFF" BUTTON (UI 600V / 10A)	1
SB3	STOP PUNCH BUTTON WITH LATCH (UI 600V / 10A)	1
SB4	LIQUID CUT-OFF SWITCH (UI 600V / 10A)	1
SB5	LED LAMP SWITCH (AC 250V / 3A)	1
LD	LED DRIVER (12-24V)	1
LED	LED LAMP (3W)	1

11 NOISE LEVEL

The noise level emitted by this machine during operation will depend on the type of material being ground and the type of grinding wheel. For this reason, the measurement data is relative.

The risk of hearing damage to the operator depends on the length of exposure to noise.

The operator must wear ear defenders or other appropriate personal protective equipment when the sound power exceeds 85 dB(A) in the workplace.

- Average sound pressure level:
 $L_{pAm} = 64 \text{ dB(A)}$
- Sound power level:
 $L_{wA} = 76 \text{ dB(A)}$

The sound power calculation was performed taking into account factors such as: reverberation at the test site, ground noise absorption, and other factors that may interfere with measurements. This estimate allows us to state that the degree of error in the values obtained would be around 3 dB(A).

The values given are emission levels and not necessarily levels that allow for safe working. Although there are correlations between emission levels and exposure levels, these cannot be used reliably to determine whether additional precautions are necessary. Parameters that influence actual exposure levels include workshop characteristics, other sources of noise, etc., i.e., the number of machines and neighboring manufacturing processes. In addition, permissible exposure levels may vary from country to country. However, this information allows the machine user to make a better risk assessment.



12 VIBRATION LEVEL

The data relating to the vibrations transmitted by this machine during the working process will depend on the type of material being ground and the type of grinding wheel. For this reason, the measurement data is relative.

Exposure to vibrations can have serious consequences for the health of workers. A person exposed to high-amplitude vibrations on a daily basis may develop neurological and joint disorders in the long term.

The exposure level assessment is based on the calculation of the daily exposure value $A(8)$, normalized to a reference period of 8 hours.

Whenever an employee is exposed to $A(8)$ vibrations exceeding the daily exposure action level set at 2.5 m/s^2 , the employer must

assess the risks of the task assigned to the employee and implement control measures.

Regular and frequent exposure to a highly vibrating work tool exposes workers' hands and arms to chronic disorders known as "vibration syndrome."

- Average hand/arm vibration level:
 $A(8) < 2.5 \text{ m/s}^2$

assess the risks of the task assigned to the employee and implement control measures.

Exposure values for vibrations transmitted to the hand-arm system:

- Daily exposure limit value $A(8) = 5 \text{ m/s}^2$
- Daily exposure value triggering action $A(8) = 2.5 \text{ m/s}^2$

13 ENVIRONMENTAL PROTECTION

Your machine contains many recyclable materials.

This logo indicates that used machines must not be mixed with other waste.

This will ensure that the machines are recycled under the best conditions, in accordance with European Directive WEEE 2012/19/EU on waste electrical and electronic equipment.

Contact your local council or dealer to find out where your nearest collection points for used machines are located.

Thank you for your cooperation in protecting the environment.



14 WARRANTY

If the machine is covered by warranty, it must be serviced exclusively by an authorized after-sales service center.

The machine warranty is valid for 2 years from the date of purchase by the user.

This product benefits from an additional 2-year warranty extension, provided that the user registers the product on the PEUGEOT OUTILS PROFESSIONNELS website (www.peugeot.outils-pro.com) within 30 days of the date of purchase. This warranty extension is subject to the same conditions as the initial warranty.

Accessories and consumables are not covered by the warranty.

It is important to keep the invoice, which serves as the warranty certificate.

The warranty is limited to the repair or replacement of defective parts free of charge, after evaluation by the manufacturer.

For any requests for information or spare parts relating to the machine, it is essential to provide the exact information shown on the nameplate.

The warranty does not cover damage caused by the user or by a repairer not approved by Tivoly.

Link to the General Warranty Terms and Conditions:



CE AL DECLARATION OF CONFORMITY "ORIGINAL"

The undersigned (Manufacturer/Importer):

TIVOLY

266 ROUTE PORTES DE TARENTEISE 73790 TOURS-EN-SAVOIE

Declares that the following new machine:

- Designation: **FLOOR DRILL PRESS**
- Brand: **PEUGEOT PROFESSIONAL TOOLS**
- Model: **PPSC30VETE**
- Reference: **PPM00400004**
- Serial number:

Complies with applicable harmonized legislation:

- **Machinery Directive 2006/42/EC (until January 19, 2027)**
- **EU Regulation 2023/1230 (from January 20, 2027)**

Complies with the essential safety requirements applicable to it:

- **Low Voltage Directive 2014/35/EU**
- **Electromagnetic Compatibility Directive 2014/30/EU**
- **WEEE Directive 2012/19/EU**
- **RoHS-2 Directive 2011/65/EU**
- **REACH 1907/2006**
- **Noise Directive 2003/10/EC**
- **Vibration Directive 2002/44/EC**


Done at TOURS-EN-SAVOIE
On

Stéphane Le Mounier
Managing Director



Person authorized to compile the technical file:

- Mr. LE MOUNIER – TIVOLY – 266 ROUTE PORTES DE TARENTEISE 73790 TOURS-EN-SAVOIE

	TIVOLY: Registered office: 266 ROUTE PORTES DE TARENTEISE 73790 TOURS-EN-SAVOIE www.peugeot-outils-pro.com	USER SERVICE Tel: +33(0)4 79 89 59 00
	In its ongoing effort to improve the quality of its products, TIVOLY reserves the right to modify their characteristics. The information, photos, exploded views, and diagrams contained in this document are not contractual.	Published by april 2026 Instruction manual PPSC30VETE